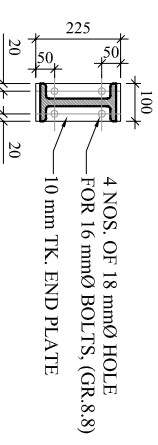
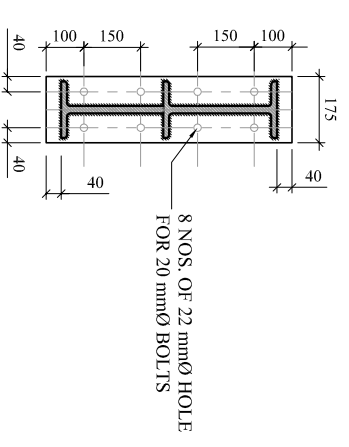


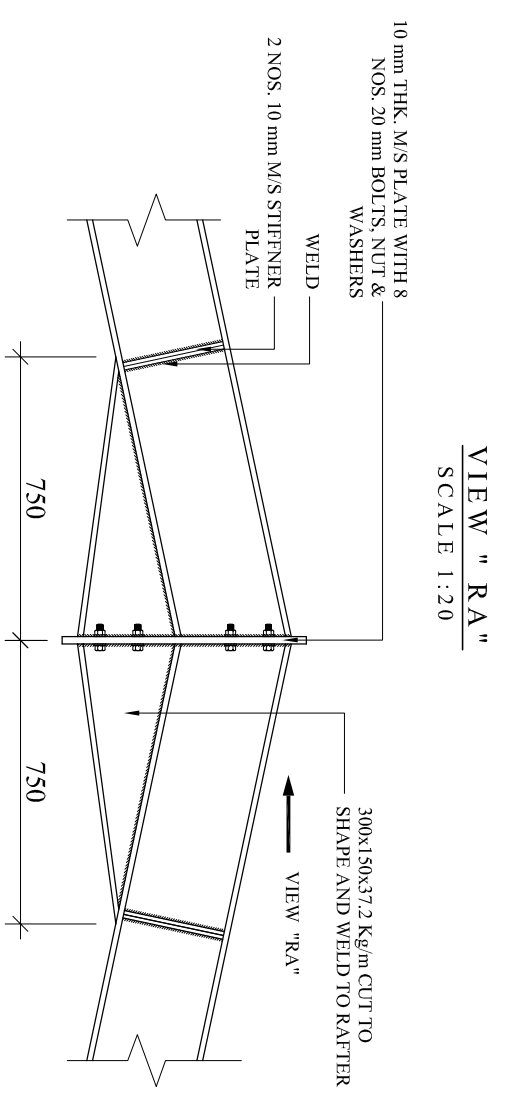
NOTE:
 C1 - 350 x 175 x 41.1 kg/m (1 SECTION)
 C2 - 300 x 150 x 32 kg/m (1 SECTION)
 MB1 - 460 x 190 x 82 kg/m (1 SECTION)
 SB1/MB2 - 300 x 150 x 32 kg/m (1 SECTION)
 TB - 200 x 100 x 31.7 kg/m (1 SECTION)



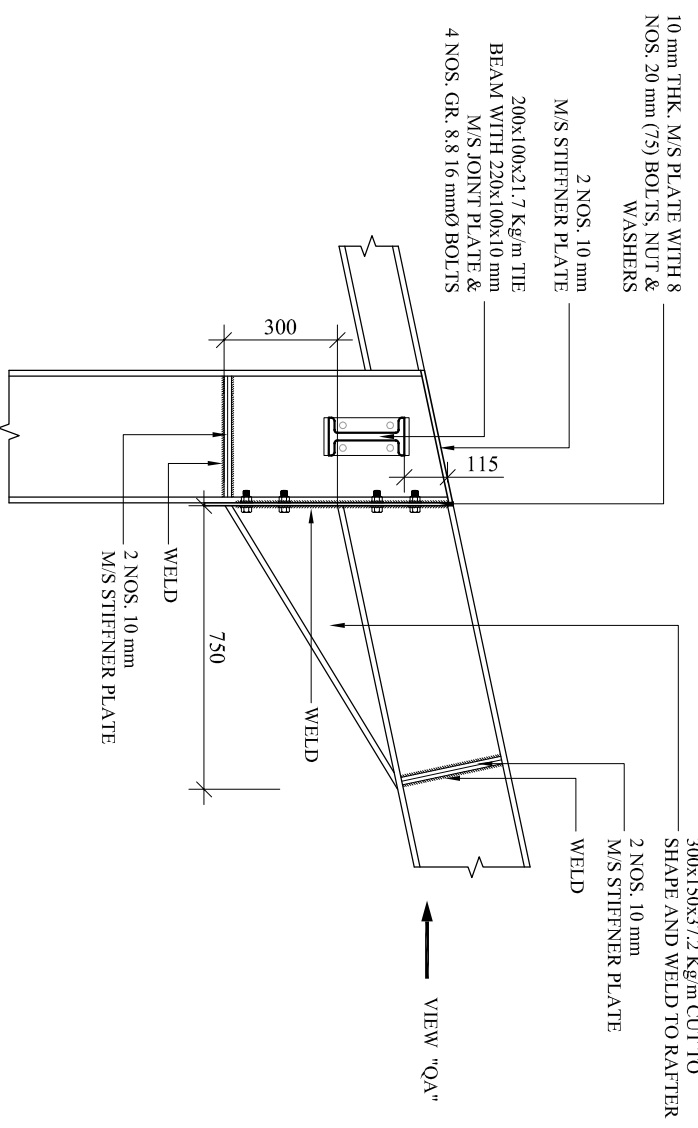
ELEVATION OF END PLATE
 (TIE BEAM - TB)
 SCALE 1:20



VIEW "QA"
 SCALE 1:20



VIEW "RA"
 SCALE 1:20



DETAIL AT "Q"
 SCALE 1:20

PROJECT:-
PROPOSED
INJECTION MOULDING
FACTORY FOR
ANTE LECO METERING
COMPANY AT
BANDARAGAMA

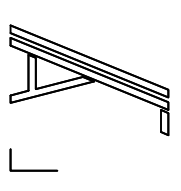
TITLE
FIXING DETAILS

NOTES

THIS DRAWING MUST NOT BE COPIED OR USED BY OTHERS WITHOUT THE WRITTEN CONSENT OF ARCHITREND CONSULTANTS.

ALL DIMENSION ARE IN MILLIMETERS

DESIGNATION	NAME
Principal Architect	L.S. Perera
Structural Engineer	M.D. Padmasiri
Drawn by	SMS
Checked by	
Drawing No	ATLECOBAN/441/TEND/ST/05
Drawing Path	
Date	27-April-2016
Issue Date	Scale
27-April-2016	NTS
Revision	Date
Drawn by	Drawn by
Applicant Signature	



Sheet no :-
05 ST

ARCHITREND CONSULTANTS
 Chartered Architects, Engineers,
 Quantity Surveyors &
 Interior Designers.
 No.35,
 Vihara Mawatha,
 Pepilyana,
 Tel : 011 - 4337787
 Fax : 011 - 2724755
 E - mail : architrendsp@gmail.com
 Web : www.architrend.lk