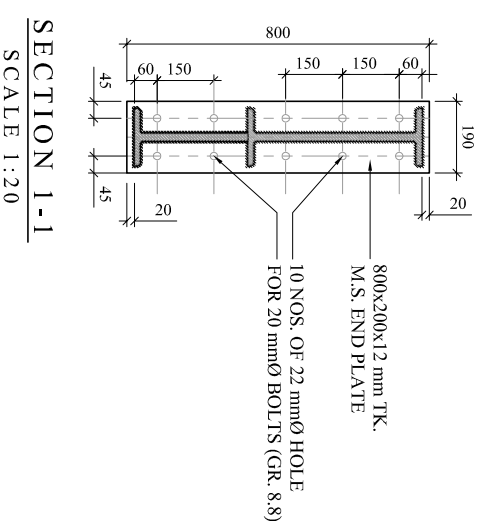
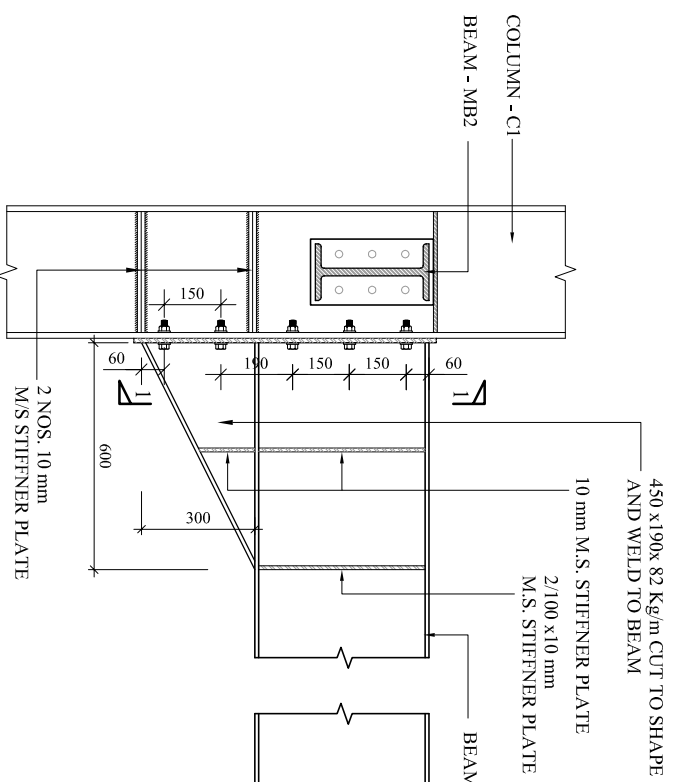
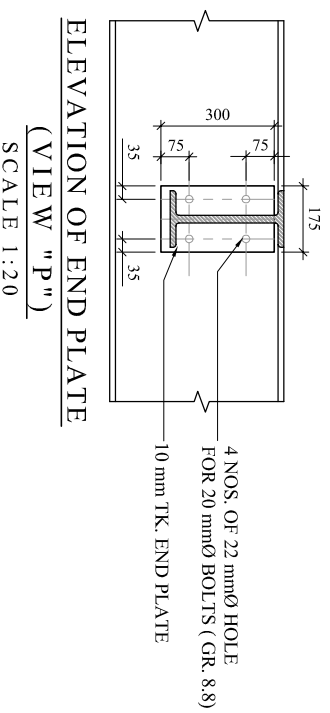
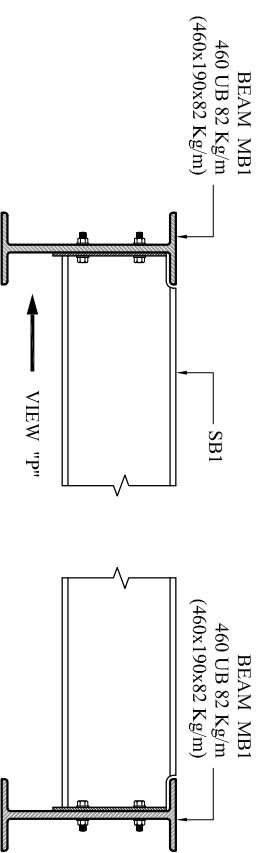
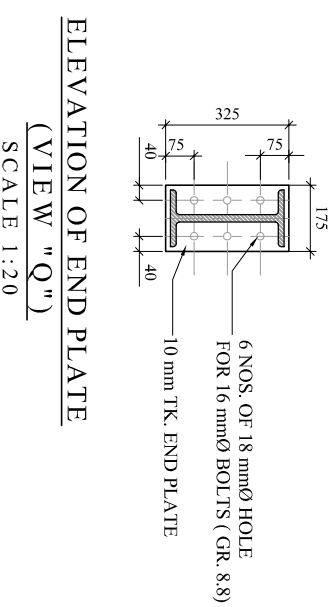
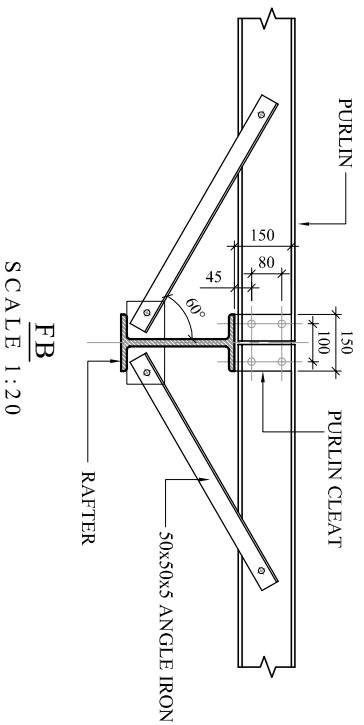


PROJECT:-
PROPOSED
INJECTION MOULDING
FACTORY FOR
ANTE LECO METERING
COMPANY AT
BANDARAGAMA

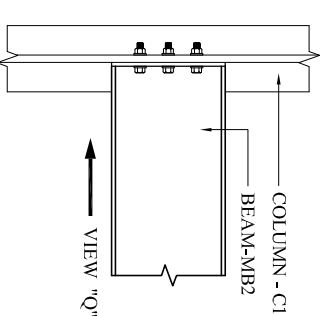
DETAILS FOR BEAMS
MB & SBI CONNECTIONS
 SCALE 1:20



FIXING DETAILS FOR BEAM
MB1 TO COLUMN
 SCALE 1:20



FIXING DETAILS FOR BEAM
MB2 TO COLUMN
 SCALE 1:20



NOTES

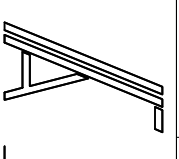
THIS DRAWING MUST NOT BE COPIED OR USED BY OTHERS WITHOUT THE WRITTEN CONSENT OF ARCHITREND CONSULTANTS.

ALL DIMENSION ARE IN MILLIMETERS

DESIGNATION	NAME	
Principal Architect	L.S. Perera	
Structural Engineer	M.D. Padmasiri	
Drawn by	SMS	
Checked by		
Drawing No	AT/LECOBAN/441/T/END/ST/06	
Drawing Path		
Date	Issued Date	
27-April-2016	28 April 2016	
REVISION	Date	Drawn by
Revise Drawing No		
Applicant Signature		

Sheet no :-

06 ST



ARCHITREND CONSULTANTS

Chartered Architects, Engineers,
 Quantity Surveyors &
 Interior Designers.

No.35,

Vihara Mawatha,

Pepilyana,

Tel : 011 - 4337787

Fax : 011 - 2724755

E - mail : architrendsp@gmail.com

Web : www.architrend.lk