

**PROJECT:-**  
**PROPOSED**  
**INJECTION MOULDING**  
**FACTORY FOR**  
**ANTE LECO METERING**  
**COMPANY AT**  
**BANDARAGAMA**

**TITLE**

**SLAB R/F DETAIL**

**NOTES**

THIS DRAWING MUST NOT BE COPIED OR USED BY OTHERS WITHOUT THE WRITTEN CONSENT OF ARCHITREND CONSULTANTS.

ALL DIMENSION ARE IN MILLIMETERS

DESIGNATION	NAME	
Principal Architect	L.S. Perera	
Structural Engineer	M.D. Padmasiri	
Drawn by	SMS	
Checked by		
Drawing No	AT/LECOBAN/441/T/END/ST/08	
Drawing Path		
Date	Issued Date	
27-April-2016	Scale	
	NTS	
REVISION	Date	Drawn by
Revise Drawing No		
Applicant Signature		

Sheet no :-

**08 ST**

**ARCHITREND CONSULTANTS**

Chartered Architects, Engineers,  
 Quantity Surveyors &  
 Interior Designers.

No.35,

Vihara Mawatha,

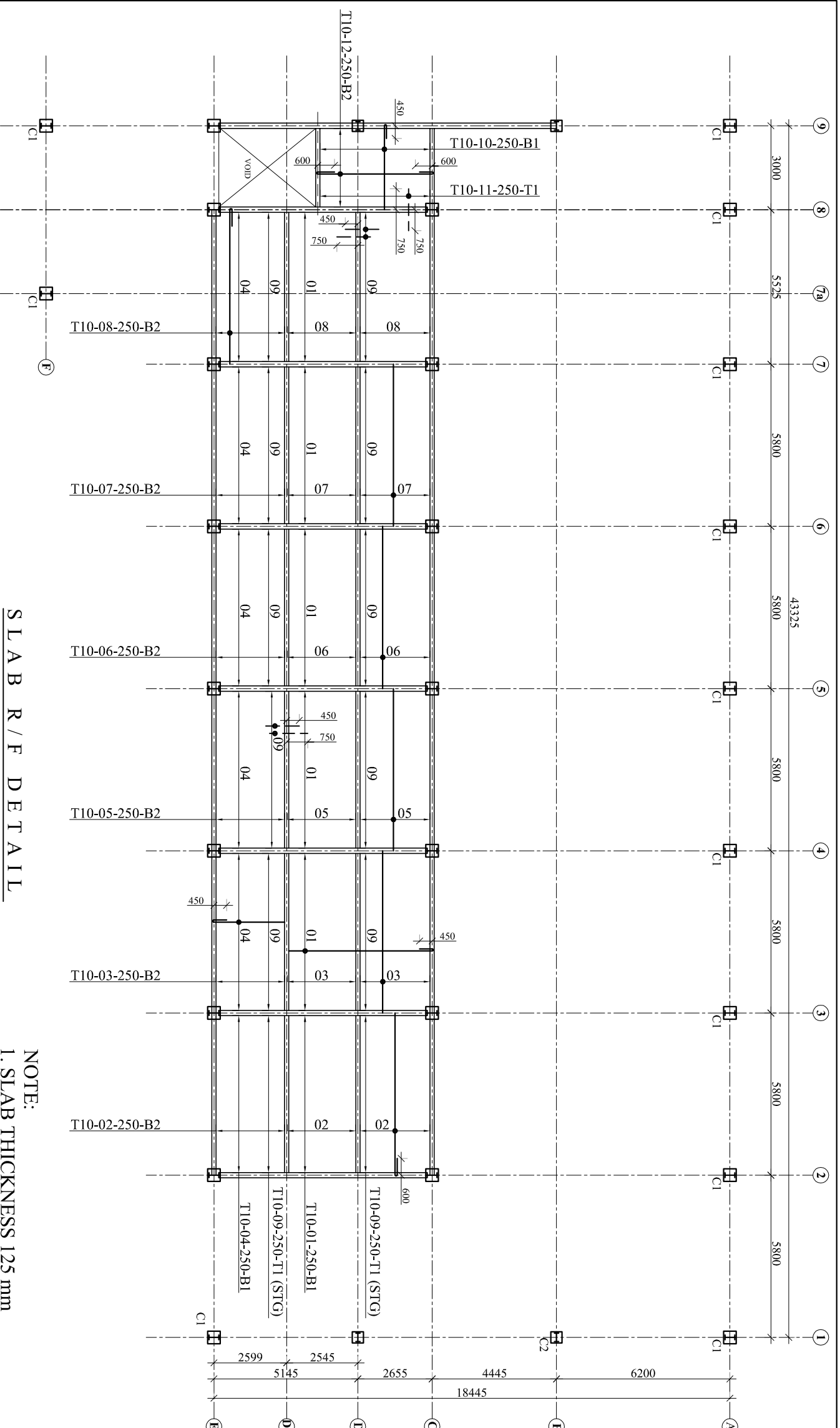
Pepilyana,

Tel : 011 - 4337787

Fax : 011 - 2724755

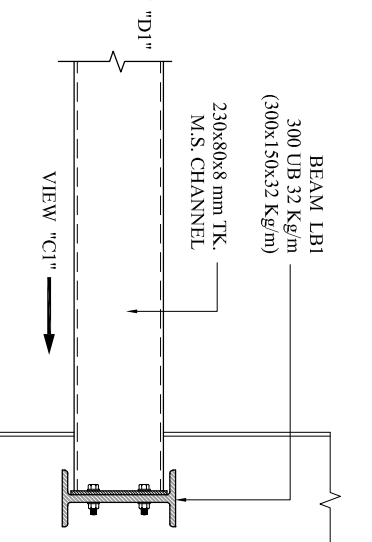
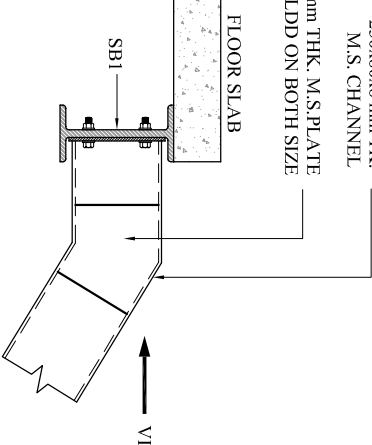
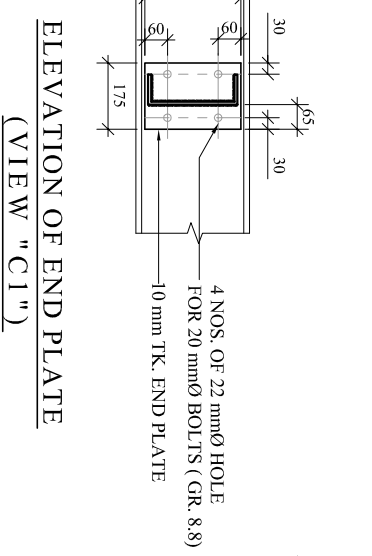
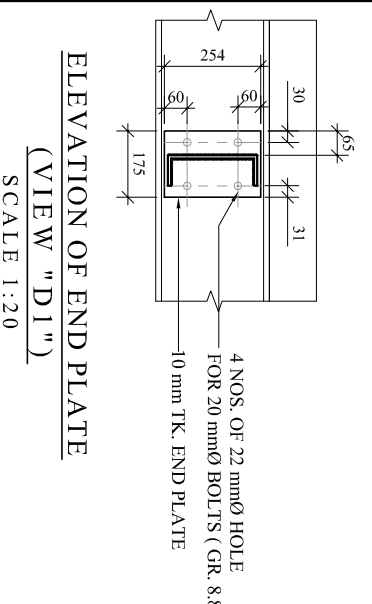
E - mail : architrendsp@gmail.com

Web : www.architrend.lk



**SLAB R/F DETAIL**

- NOTE:**
1. SLAB THICKNESS 125 mm
  2. DISTRIBUTION BARS - T10-250



**ELEVATION OF END PLATE**  
 (VIEW "D1")  
 SCALE 1:20

**ELEVATION OF END PLATE**  
 (VIEW "C1")  
 SCALE 1:20

**DETAIL AT "D"**  
 SCALE 1:20

**DETAIL AT "C"**  
 SCALE 1:20